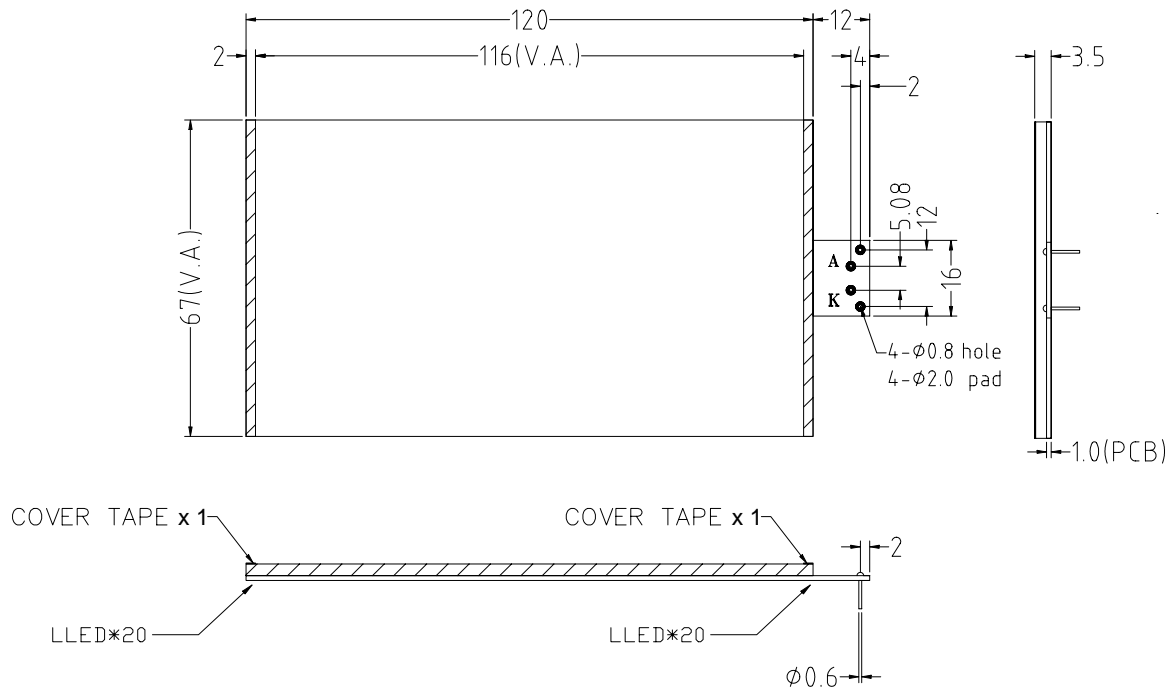




BlueChip Optical Tech. Inc.

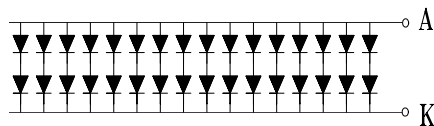
BCS-040501YP SIDE LOOK TYPE

Mechanical Dimensions



Note: Dimension in millimeters, and tolerance is ± 0.3 unless otherwise noted.

Typical Internal Equivalent Circuit



2x20=40 (Dice Numbers)

Part No.	Luminous Area (mm)	Emitted Color	Wave Length (λ_P) (nm)	Electro-Optical Characteristics		
				Test Condition (mA)	I_v (cd/m ²)	V_f (V)
					Typ.	Typ.
BCS-040501YP	116.0 X 67.0 mm	Yellow Green	570	200	17	4.2