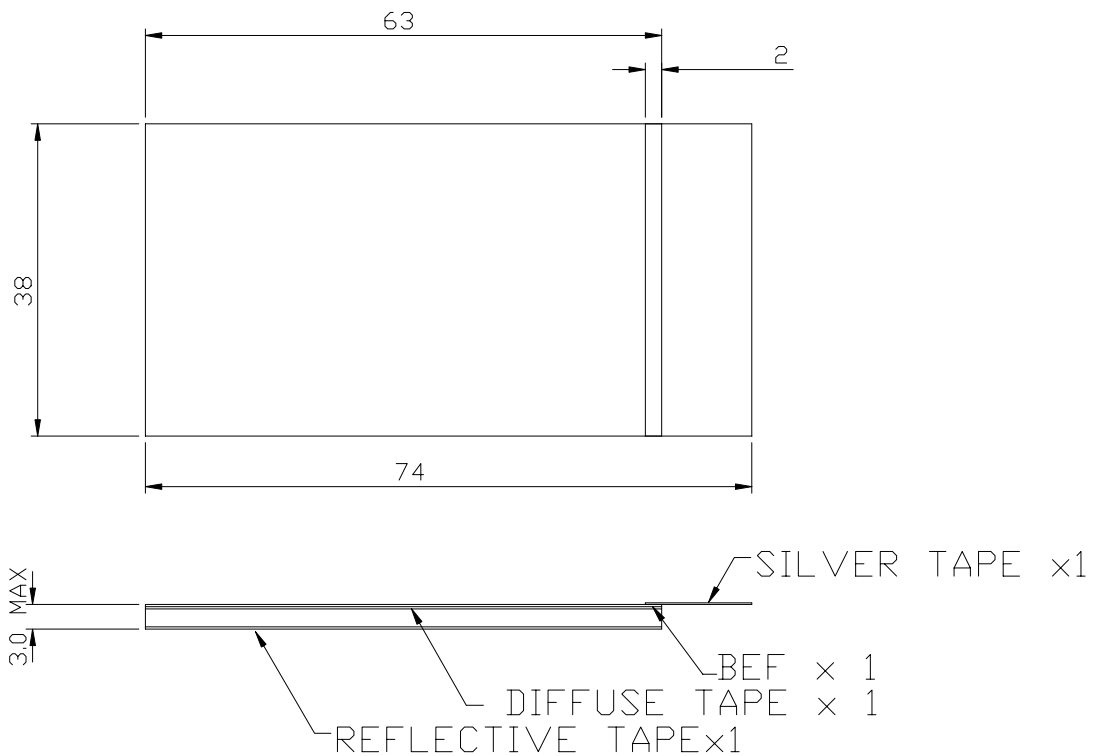




**BlueChip Optical Tech. Inc.**

**BCG-063037M1 LIGHT GUIDE TYPE**

**Mechanical Dimensions**



**Note: Dimension in millimeters, and tolerance is  $\pm 0.3$  unless otherwise noted.**

Part No.	Luminous Area (mm)	Emitted Color	X	Y	Electro-Optical Characteristics		
					Test Condition (mA)	Iv(cd/m <sup>2</sup> )	Vf(V)
BCG-063037M1	61.0X38.0 mm	-	-	-	-	-	-